



Building Performance Equipment, Inc.®

Sustainable, Reliable and Energy Efficient Ventilation Systems

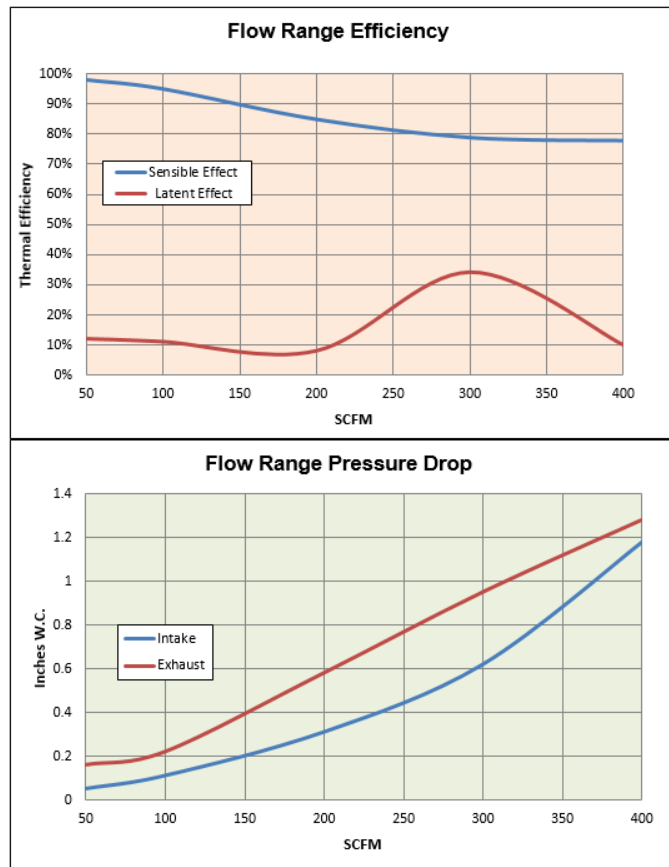
Model: BPE-XE-MIR-200-i

(Unitary Air-to-air Energy Recovery Ventilator)

Model Number:	BPE-XE-MIR 200-i, Energy Recovery Ventilator (ERV)
Energy Transfer:	Polymer Fixed Plate, Heat and Humidity Transfer
Air Flow Range:	60-200 CFM
Energy Efficiency Ratio (EER) – (Btu/W):	(ARI 1060 at 95°) - Summer = 31.53 (ARI 1060 at 10°) - Winter = 75.67
Net Weight:	60 lbs.
Dimensions:	60" L x 10" W x 23" H
External Finish:	Galvanized Steel Sheet
Typical Fan:	Integral Fans, UL Listed
Power Source:	115 V - Single Phase – 60Hz
Power Consumption:	60 W @ 226 CFM/Fan

Note: For use in conditions below -10°F and/or 40% relative humidity. Contact BPE for application assistance. Interior aligned with Reflectix Semi-Rigid Insulations (R-5 RMAX). ASTM E84-01 Flame Spread Classification = 25, Smoke-Developed Classification = 30. Integral drain for very wet applications.

Includes: (2) Merv 8 HEPA Filters, (2) high-efficiency fans UL 507 Listed – Standard for Electric Fans, (2) Speed Controllers, and high-efficiency energy recovery module with single power cord included. High-performance 6-inch duct attachments and installation instructions.



ARI 1060 Testing

Project Name: _____

Date: _____

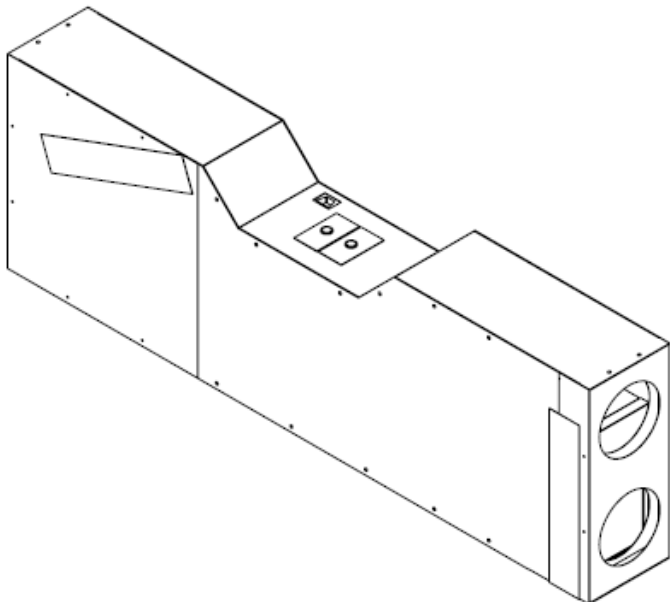
Location: _____

Application: _____

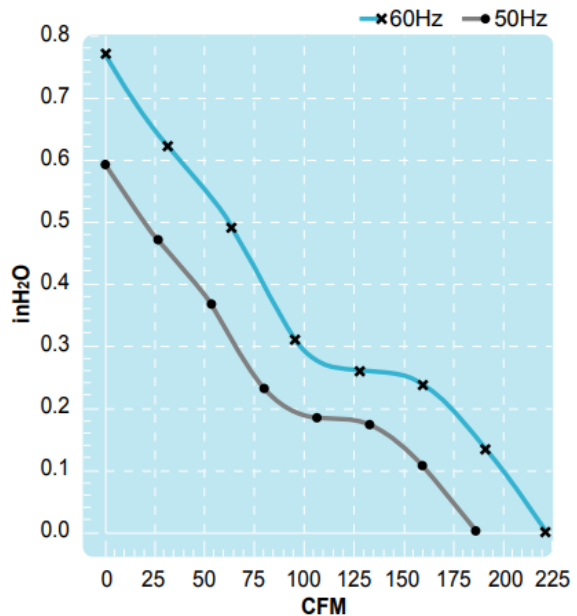
Contractor: _____

Design Conditions	Outdoor Air				Indoor Air				Thermal Efficiency	
	CFM	In. W.C.	°F WB	°F DB	CFM	In. W.C.	°F WB	°F DB	Sensible (%)	Latent (%)
Summer										
Winter										

Component	Intake (in. W.C.)	Exhaust (in. W.C.)	Notes
Louver			Note: Latent component can be adjusted or completely closed off for a sensible-only application. Please discuss with factory to adjust as needed.
Filter			
Duct work			
ERV			
Diffuser			
Total Static			
Add 25% - Safety Factor			
Fan Static			
Fan CFM			
Fan Manufacture			
Fan Model			

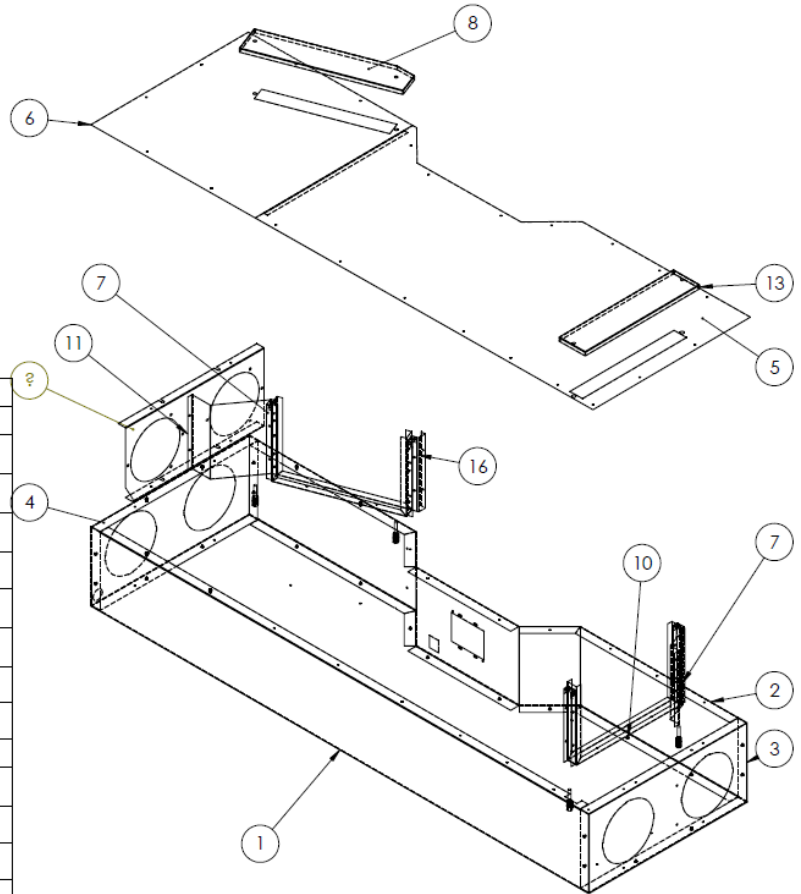


Unit Isometric



Fan Flow (Cfm/ inch WC)

Parts List



ITEM NO.	PART NUMBER	DESCRIPTION	QTY.
1	200i block base REV C		1
2	200i block front u part REV C		1
3	200i block end cap REV C		1
4	200i block end cap hole REV C		1
5	200i block fixed cover REV C		1
6	200i block large cover REV C		1
7	200i block ftr chnl sprt REV C		4
8	200i block filter cover REV C		1
9	200i block fan mount REV D		1
10	SD42BS200		20
11	200i block long divider REV		1
12	200i block short divider REV C		1
13	200i block filter cover with bend REV C		1
15	200i block filter channel REV C		2
16	200i block short divider 2 REV C		1

Filters are interchangeable between fresh air and exhaust

Merv 6 (Exhaust - Recommended)

Cost \$12.50 each plus shipping

Merv 8 (Fresh Air Supply – Optional)

Cost \$ 14.95 each plus shipping

Additional fans with plug-in electric connection

Cost \$55.60 each plus shipping