



Building Performance Equipment, Inc.®

Sustainable, Reliable, Energy Efficient, Ventilation Systems



BPE-XE-MIR 16000 Commercial Installation Specifications and Guidance

BPE Inc.
80 Broadway, Hillsdale, NJ

Phone: 201-722-1414
Fax: 201-722-0999
bpequip.com

Sustainable
Industries

Winner
2010

Top 10 Green
Building
Products





Building Performance Equipment, Inc.®

Sustainable, Reliable, Energy Efficient, Ventilation Systems

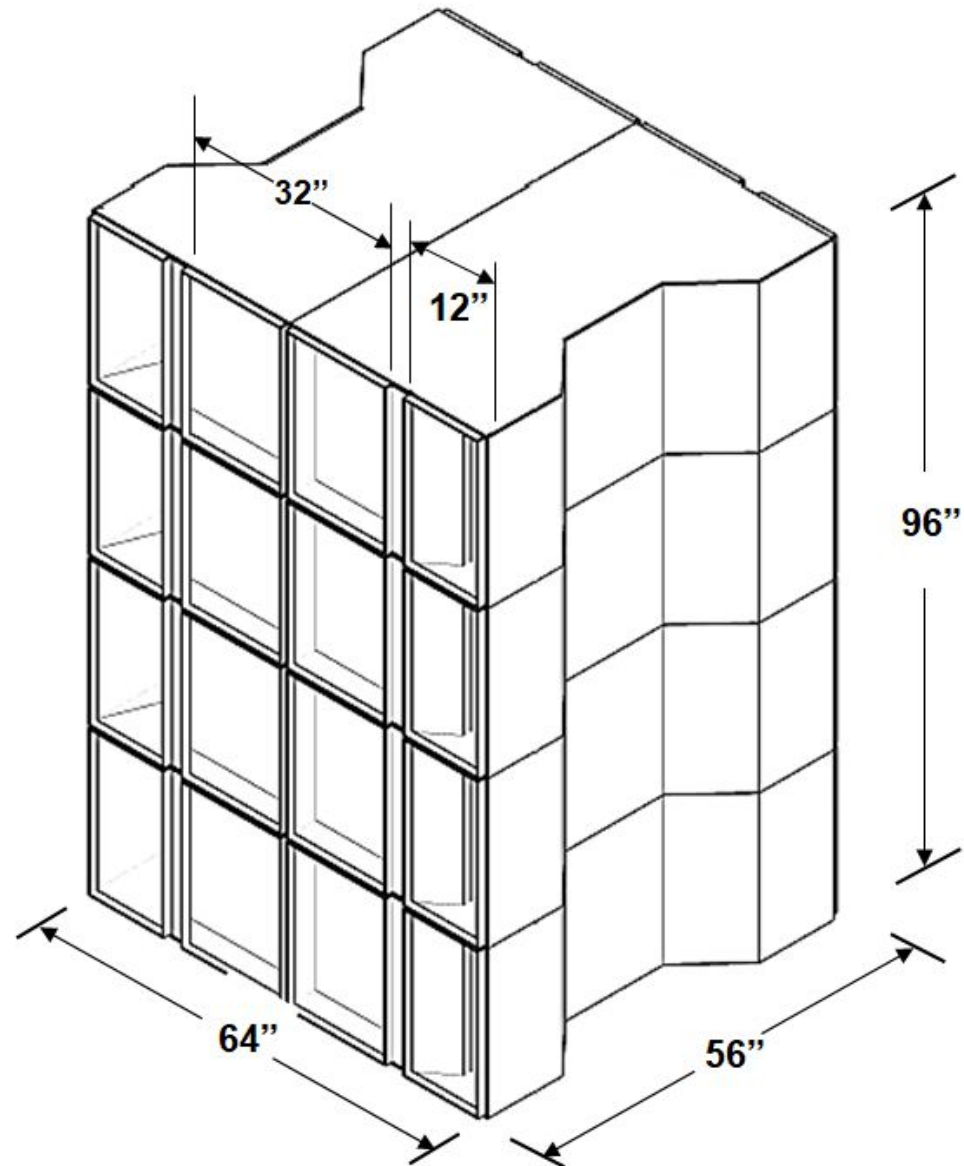


Here at Building Performance Equipment Inc., we are committed to engineering energy efficient HVAC systems. We specialize in ventilation and energy recovery with our current product line. This document is intended to illustrate the assembly of a commercial 16000 cfm ERV with all necessary components and information provided. Please contact us at 201-722-1414 if you have any questions.

BPE-XE-MIR 16000

Specifications

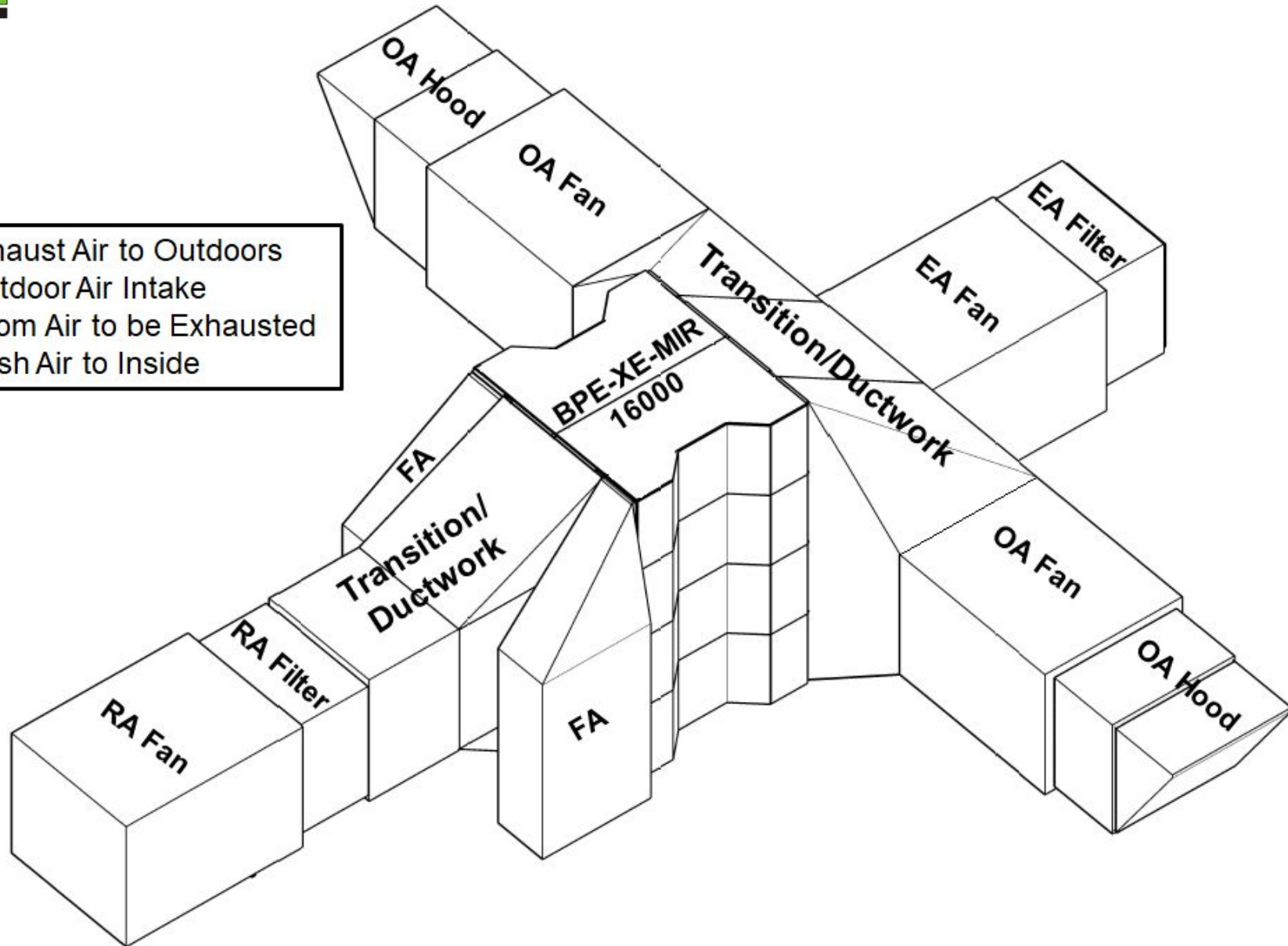
Model Number	BPE-XE-MIR 16000, Energy Recovery Ventilator (ERV)
Ventilation Type	Fixed Plate Polymer, Heat and Humidity Transfer
Typical Air Flow Range	5000-8000 cfm
Thermal Efficiency	71% @ 7500 cfm 82% @ 5000 cfm
Product Weight/ Shipping Weight	1616 lbs./1750 lbs.
Shipping Dimensions	(8) 72" x 48" x 37"
Typical Fan	CANARM 9218-VIB Inline Duct Blower (See page 8)





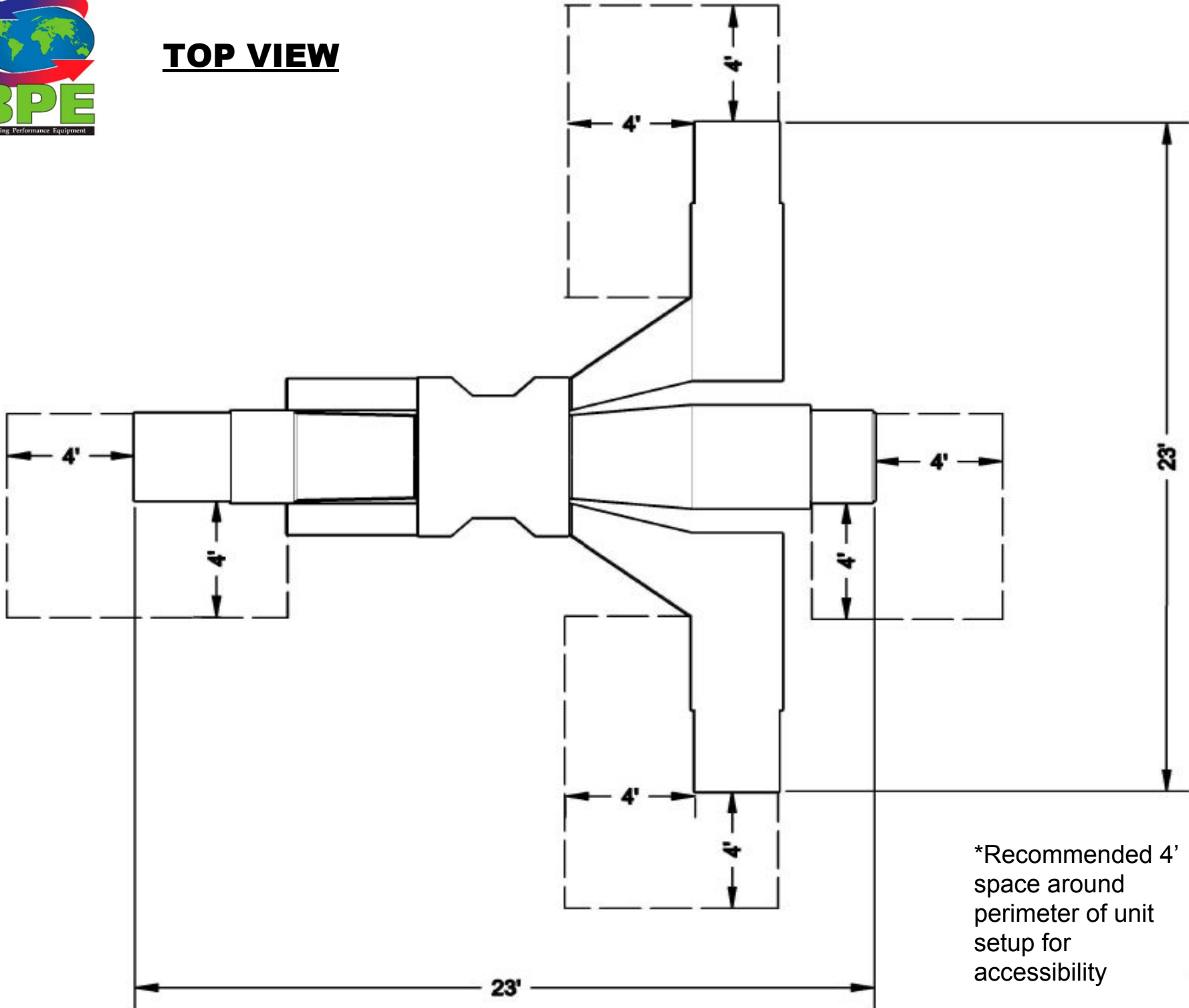
BPE-XE-MIR 16000 Layout

EA: Exhaust Air to Outdoors
OA: Outdoor Air Intake
RA: Room Air to be Exhausted
FA: Fresh Air to Inside



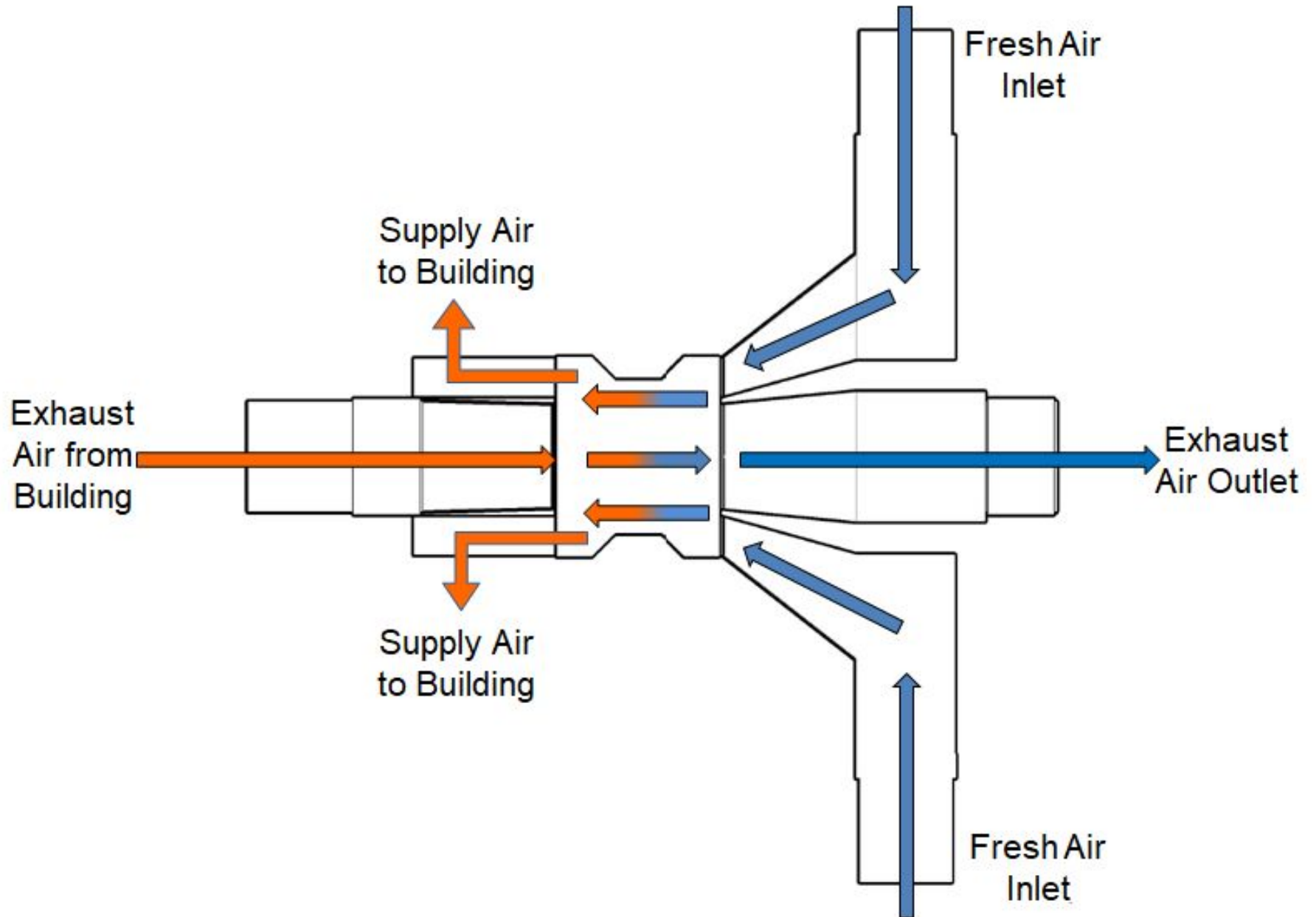


TOP VIEW



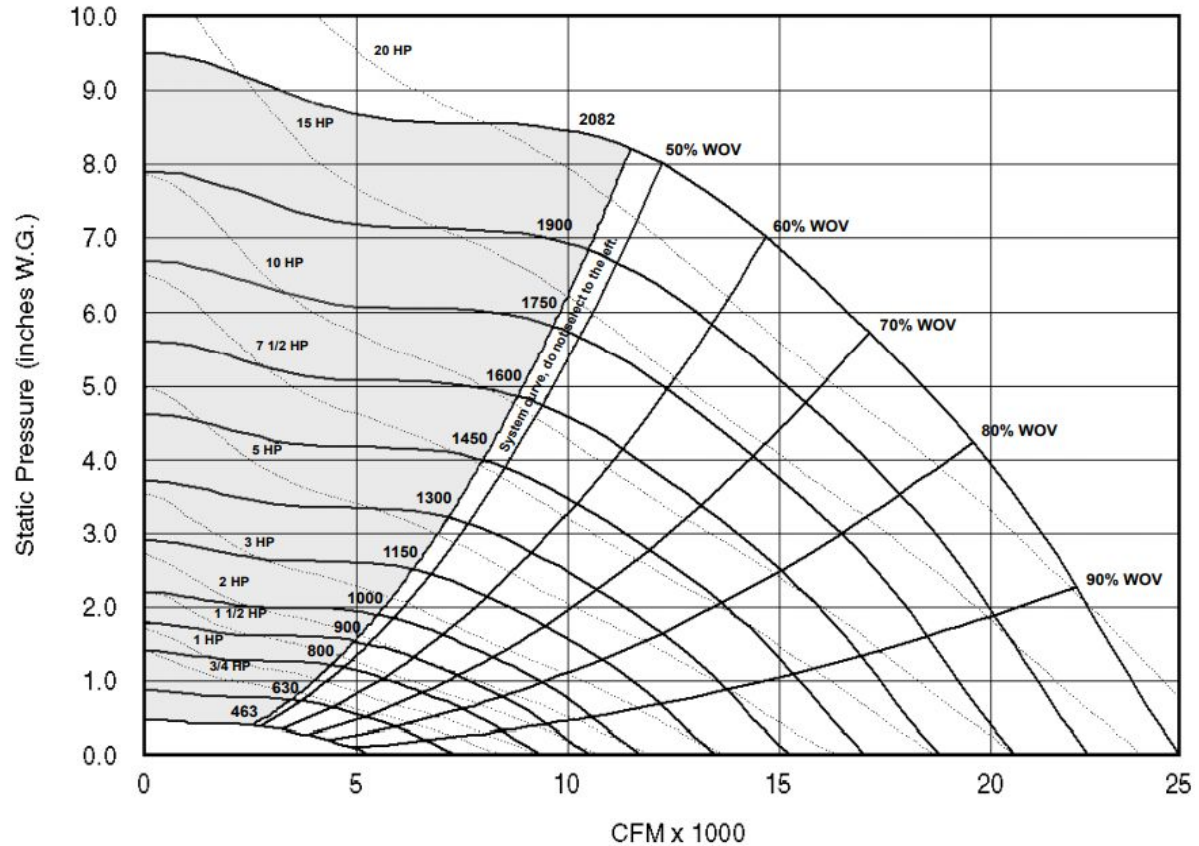
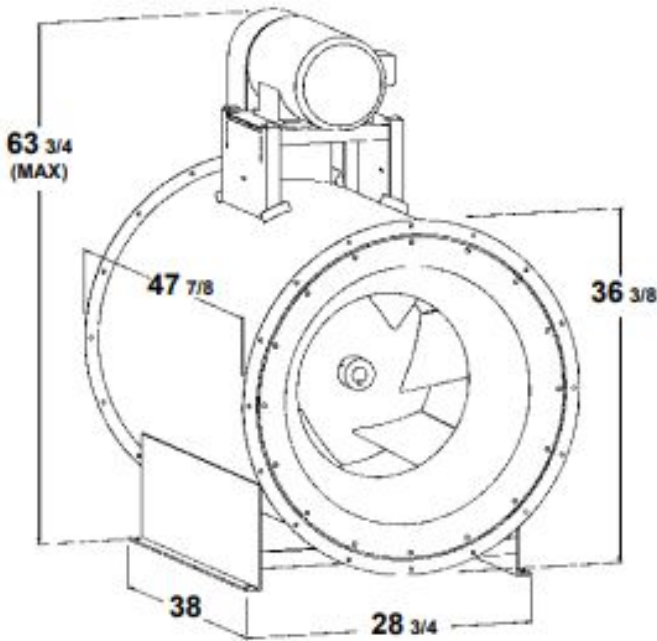
*Recommended 4' space around perimeter of unit setup for accessibility

BPE-XE-MIR 12000 Layout





Fan - Penn Barry ESI-270



Wheel Diameter = 30.00 in.	Maximum BHP = 2.66 (RPM/1000) ³
Outlet Area = 5.98 ft. ²	Max. Motor Frame Size = 326T
Tip Speed, FPM = 7.86 x RPM	

Class	Fan Weight (Lbs.)	Wheel Weight (Lbs.)	WR ² ① (Lbs. Ft. ²)	Max. Wheel RPM ^② (Steel or Aluminum)
I	482	81	52	1665
II	507	93	58	2082