



Building Performance Equipment, Inc.®

Sustainable, Reliable, Energy Efficient, Ventilation Systems



BPE-XE-MIR 20000 Commercial Installation Specifications and Guidance

BPE Inc.
80 Broadway, Hillsdale, NJ

Phone: 201-722-1414
Fax: 201-722-0999
bpequip.com





Building Performance Equipment, Inc.®

Sustainable, Reliable, Energy Efficient, Ventilation Systems



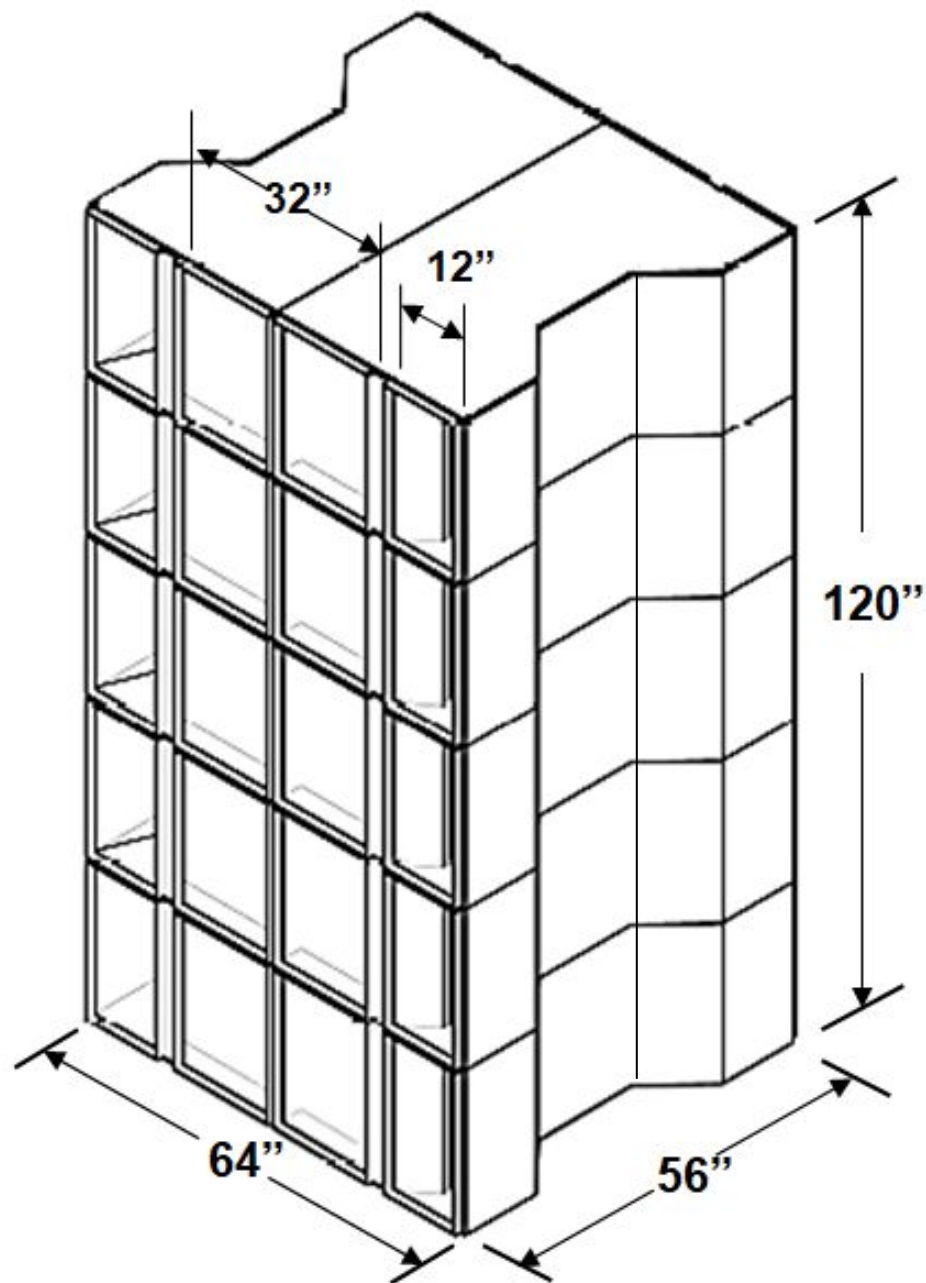
Here at Building Performance Equipment Inc., we are committed to engineering energy efficient HVAC systems. We specialize in ventilation and energy recovery with our current product line. This document is intended to illustrate the assembly of a commercial 20000 cfm ERV with all necessary components and information provided. Please contact us at 201-722-1414 if you have any questions.



BPE-XE-MIR 20000

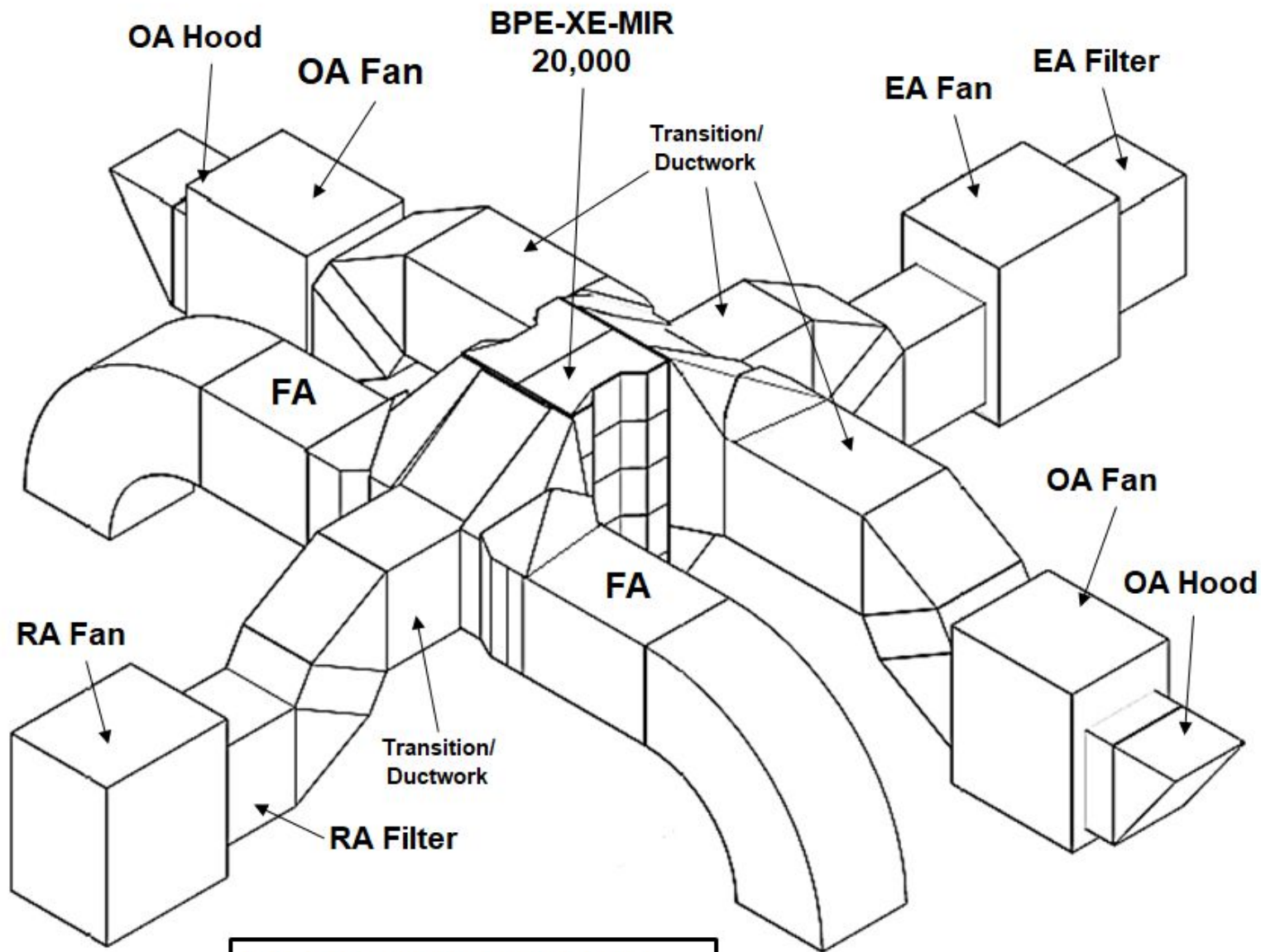
Specifications

Model Number	BPE-XE-MIR 20000, Energy Recovery Ventilator (ERV)
Ventilation Type	Fixed Plate Polymer, Heat and Humidity Transfer
Typical Air Flow Range	14000-20000 cfm
Thermal Efficiency	72% @ 18000 cfm 80% @ 14000 cfm
Product Weight/ Shipping Weight	2020 lbs./2100 lbs.
Shipping Dimensions	(10) 72" x 48" x 37"
Typical Fan	PENN BARRY ESI-330





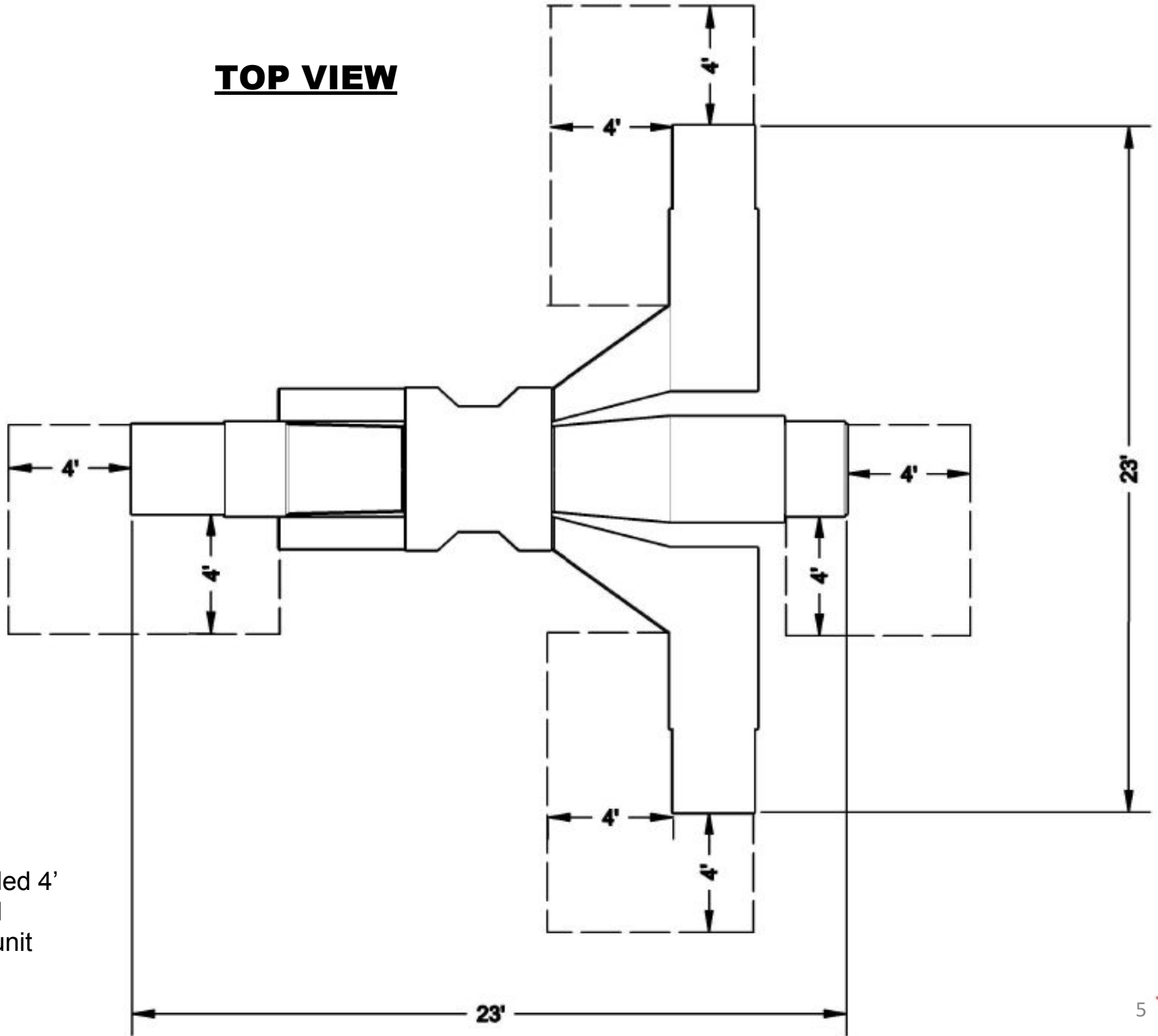
BPE-XE-MIR 20000 Layout



EA: Exhaust Air to Outdoors
OA: Outdoor Air Intake
RA: Room Air to be Exhausted
FA: Fresh Air to Inside



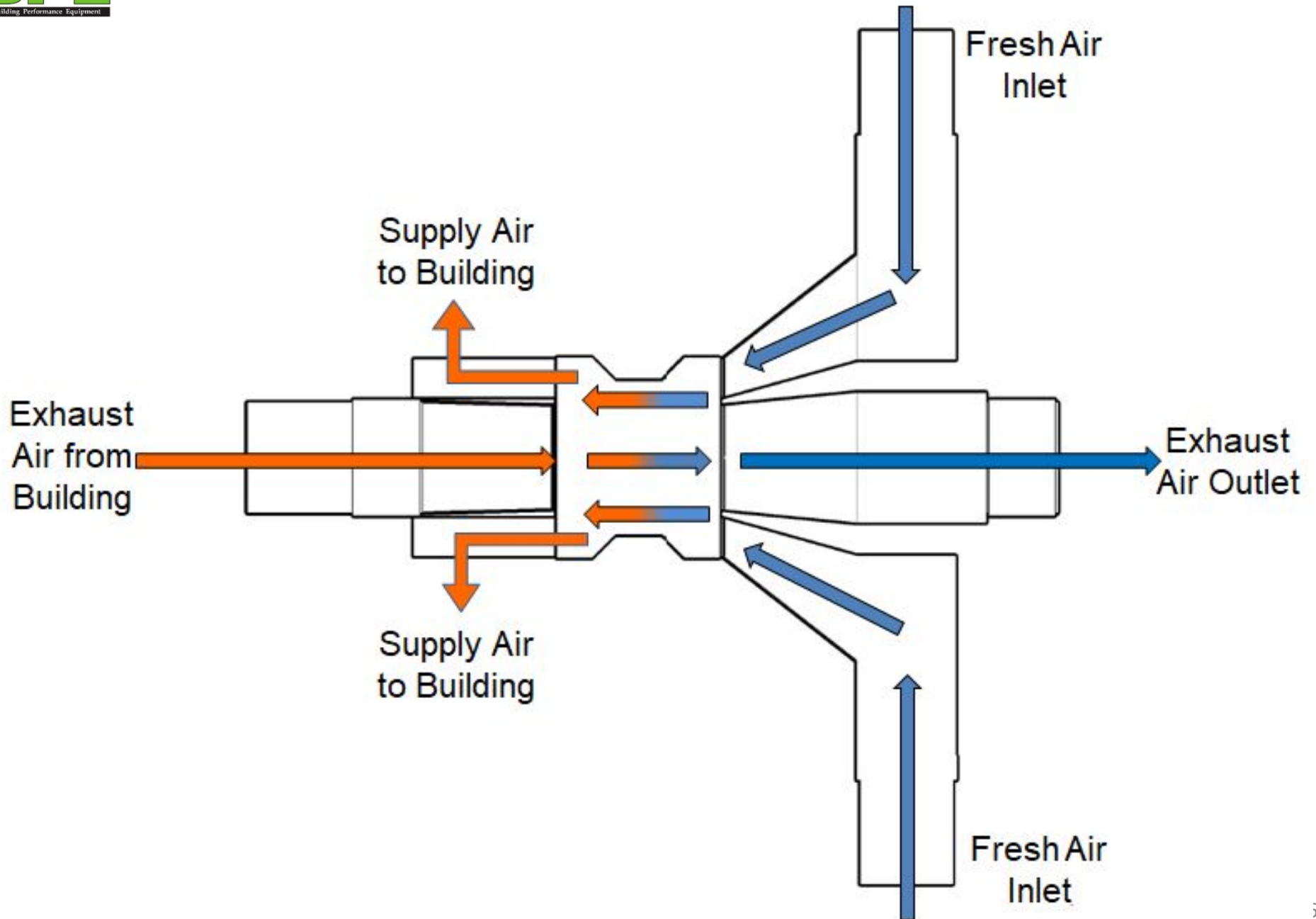
TOP VIEW



*Recommended 4'
space around
perimeter of unit
setup for
accessibility

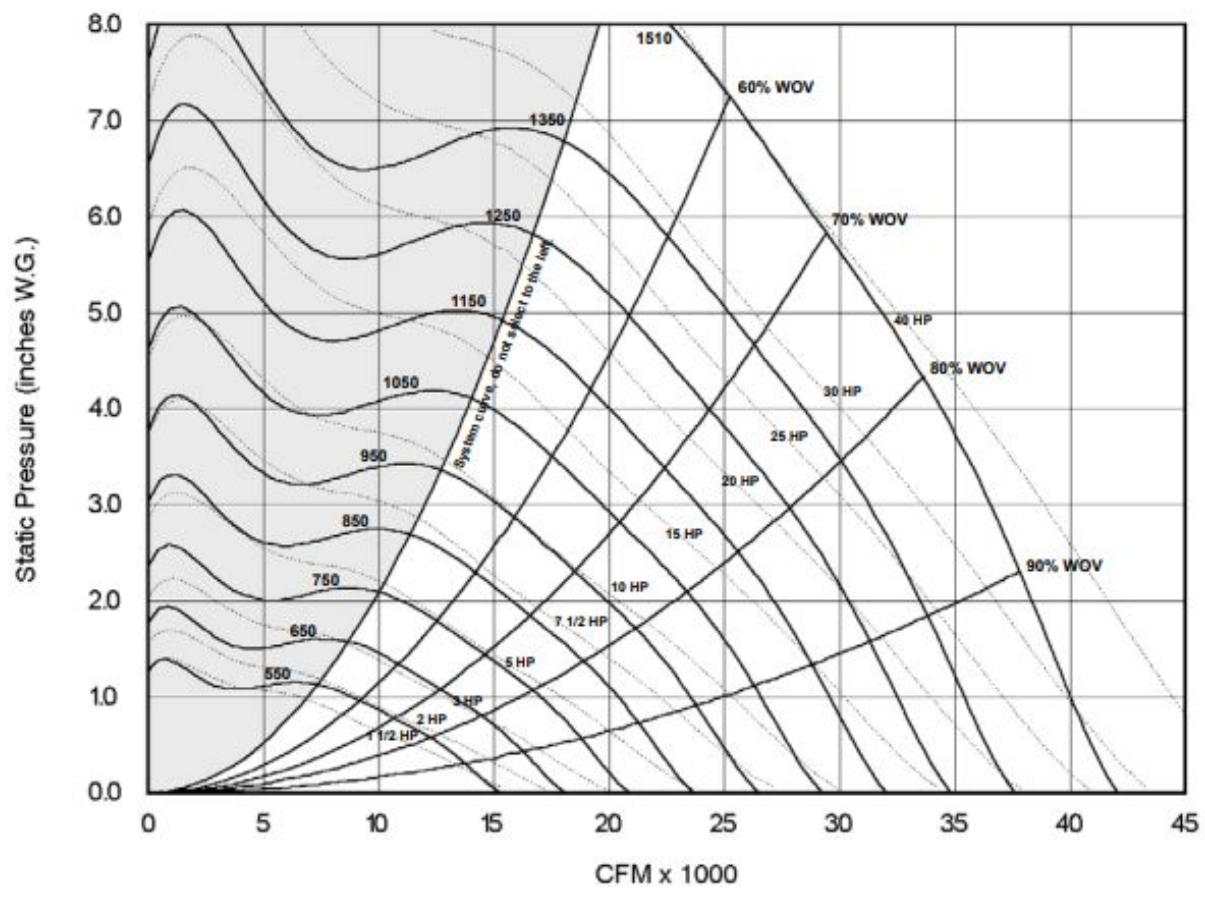
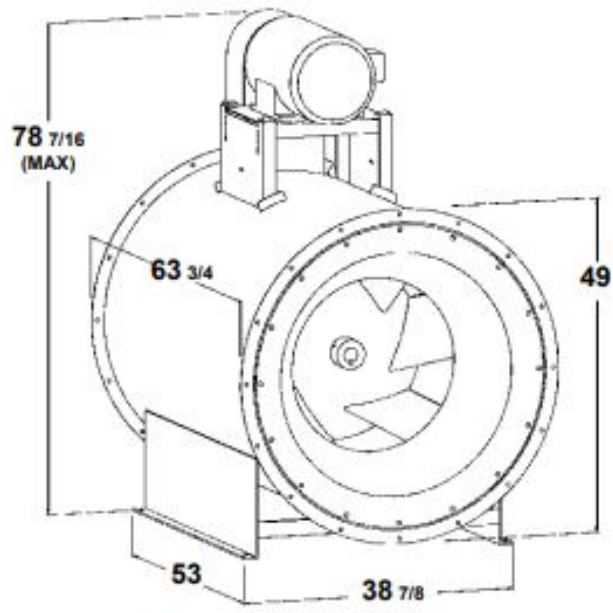


BPE-XE-MIR 20000 Layout





Fan - Penn Barry ESI-330



Wheel Diameter = 40.25 in.	Maximum BHP = 11.68 (RPM/1000) ³
Outlet Area = 10.80 ft. ²	Max. Motor Frame Size = 365T
Tip Speed, FPM = 10.54 x RPM	

Class	Fan Weight (Lbs.)	Wheel Weight (Lbs.)	WR ² ① (Lbs. Ft. ²)	Max. Wheel RPM ② (Steel or Aluminum)
I	999	184	221	1208
II	1052	212	230	1510