



Building Performance Equipment, Inc.®

Sustainable, Reliable, Energy Efficient, Ventilation Systems



BPE-XE-MIR 8000 Commercial Installation Specifications and Guidance

BPE Inc.
80 Broadway, Hillsdale, NJ

Phone: 201-722-1414
Fax: 201-722-0999
bpequip.com





Building Performance Equipment, Inc.®

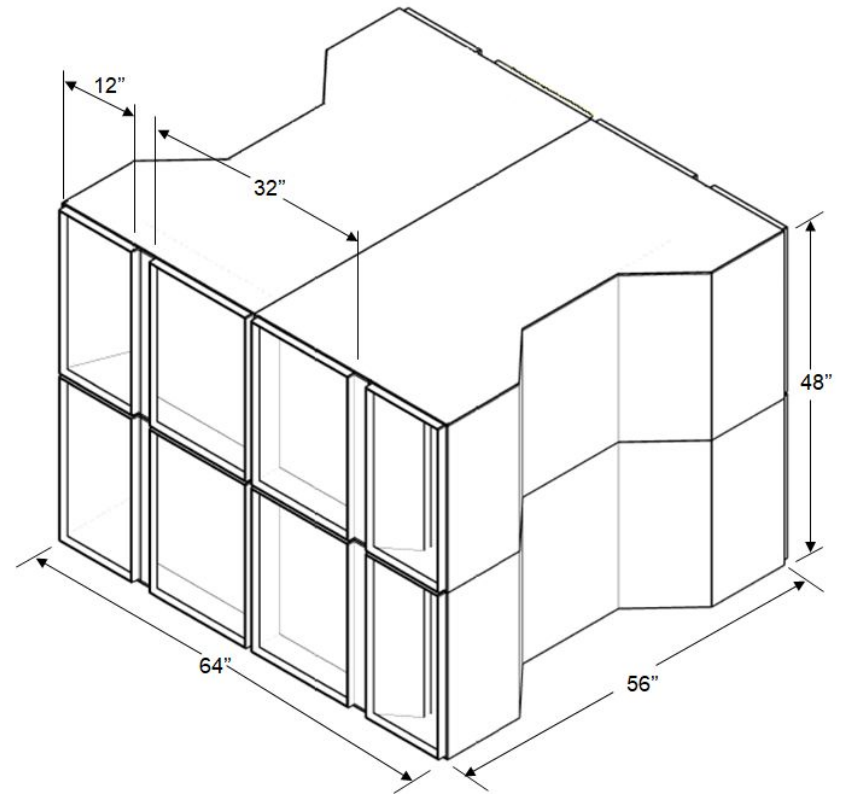
Sustainable, Reliable, Energy Efficient, Ventilation Systems



Here at Building Performance Equipment Inc., we are committed to engineering energy efficient HVAC systems. We specialize in ventilation and energy recovery with our current product line. This document is intended to illustrate the assembly of a commercial 8000 cfm ERV with all necessary components and information provided. Please contact us at 201-722-1414 if you have any questions.

Specifications

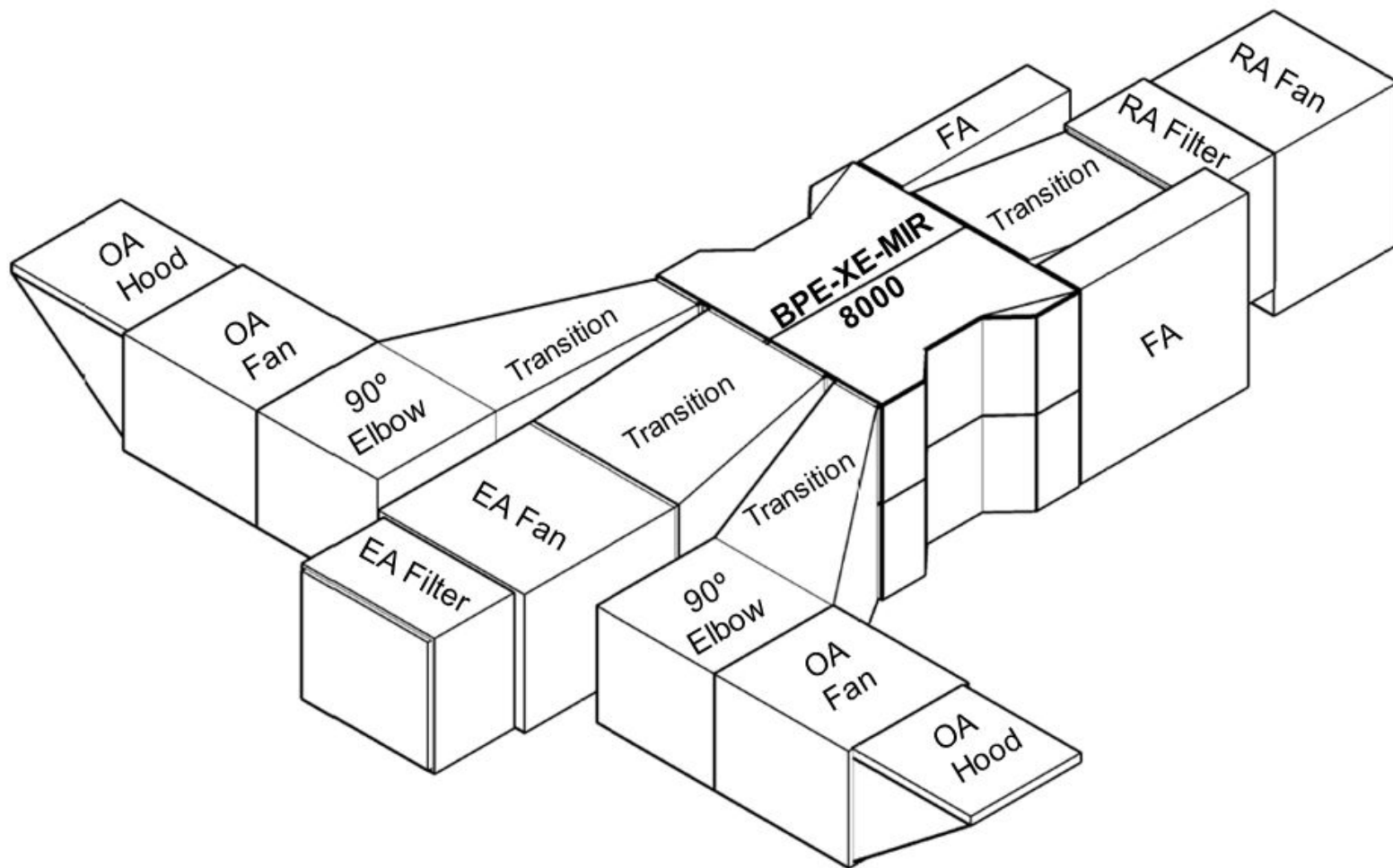
Model Number	BPE-XE-MIR 8000, Energy Recovery Ventilator (ERV)
Ventilation Type	Fixed Plate Polymer, Heat and Humidity Transfer
Typical Air Flow Range	5000-8000 cfm
Thermal Efficiency	71% @ 7500 cfm 82% @ 5000 cfm
Product Weight/ Shipping Weight	808 lbs./900 lbs.
Shipping Dimensions	(4) 72" x 48" x 37"
Typical Fan	CANARM 9220-VIB Inline Duct Blower (See page 8)





BPE-XE-MIR 8000

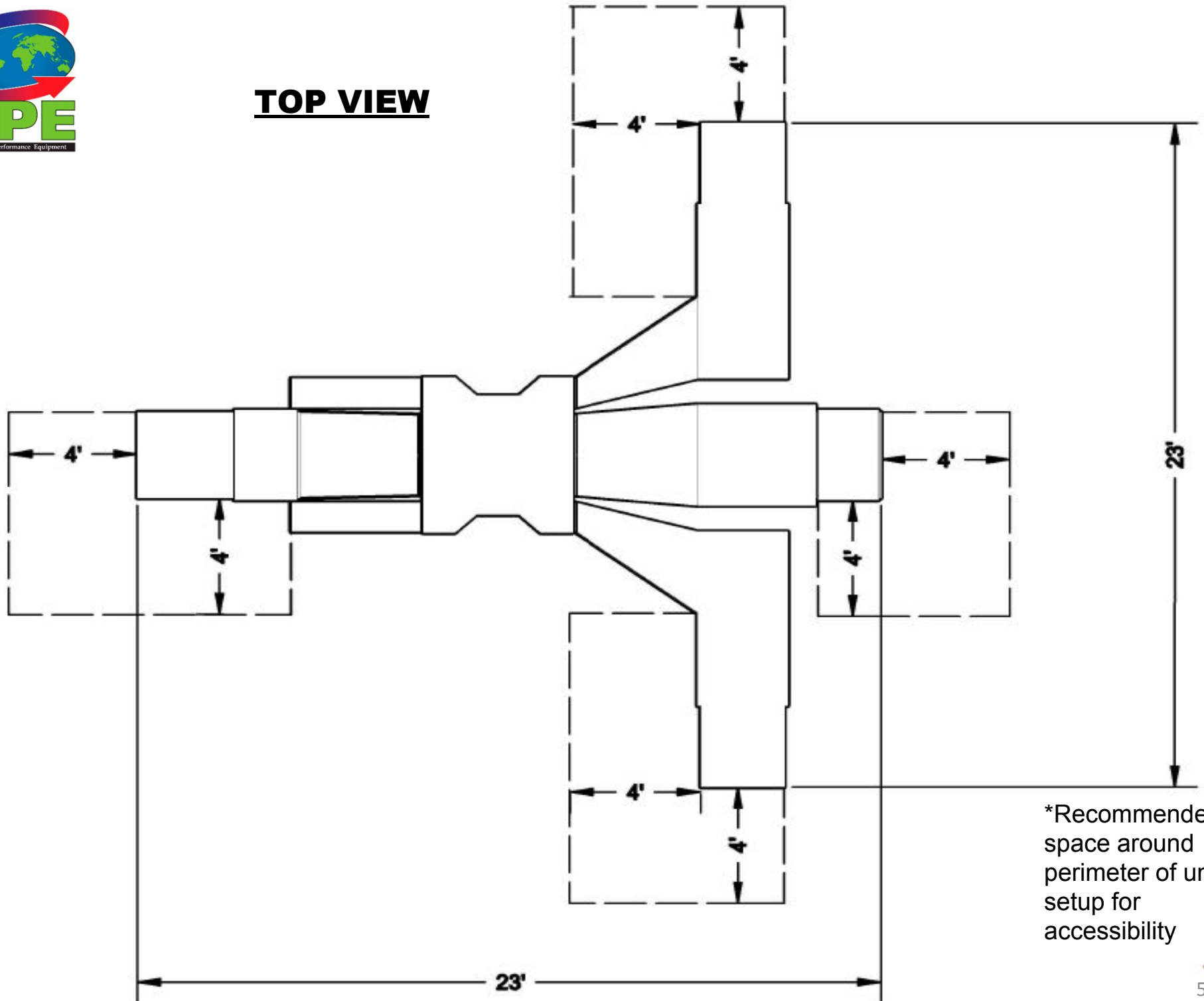
Layout



EA: Exhaust Air to Outdoors
OA: Outdoor Air Intake
RA: Room Air to be Exhausted
FA: Fresh Air to Inside



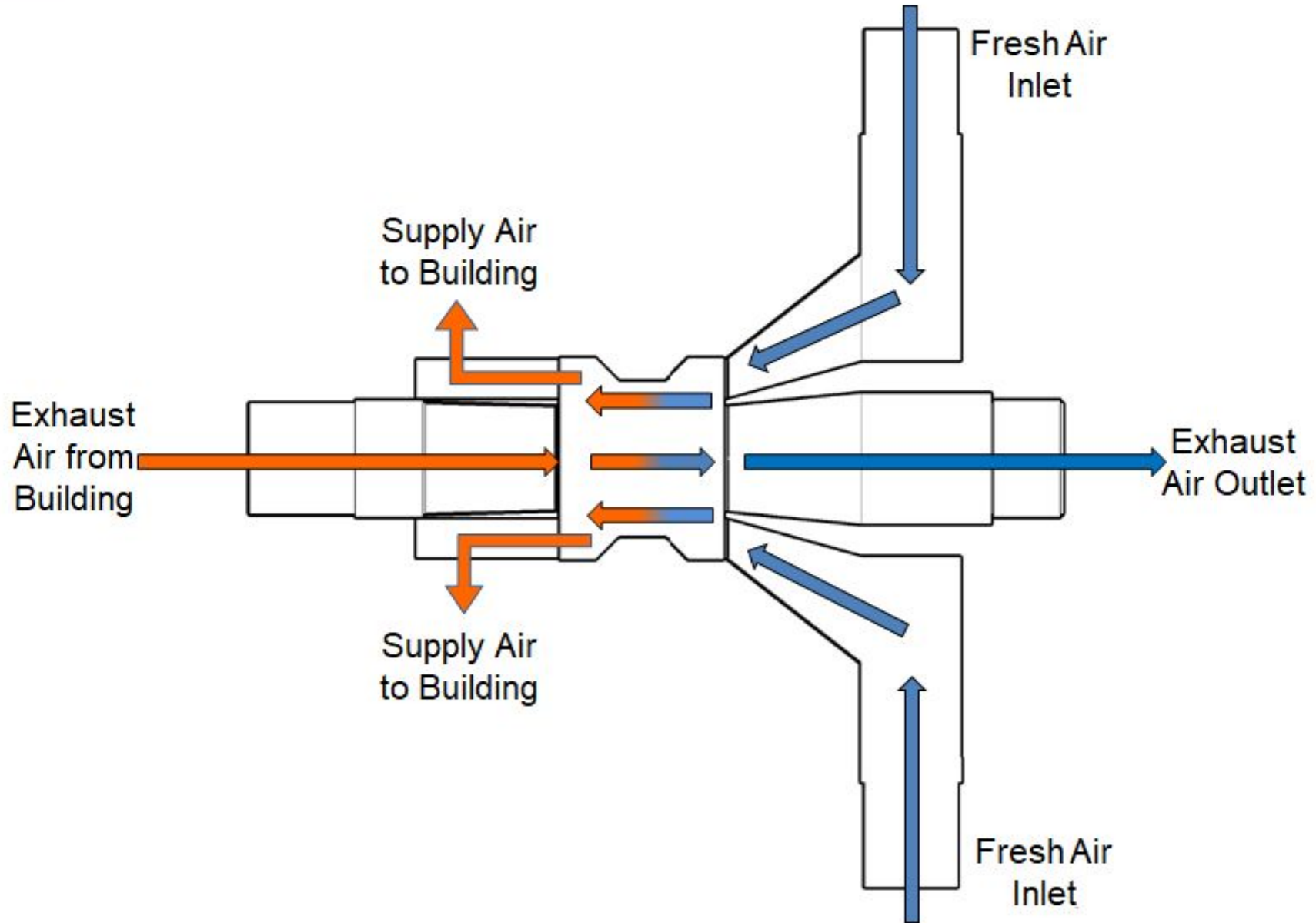
TOP VIEW



*Recommended 4' space around perimeter of unit setup for accessibility

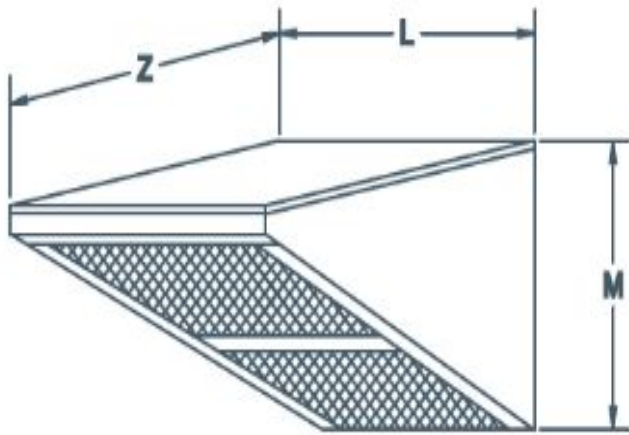


BPE-XE-MIR 8000 Layout



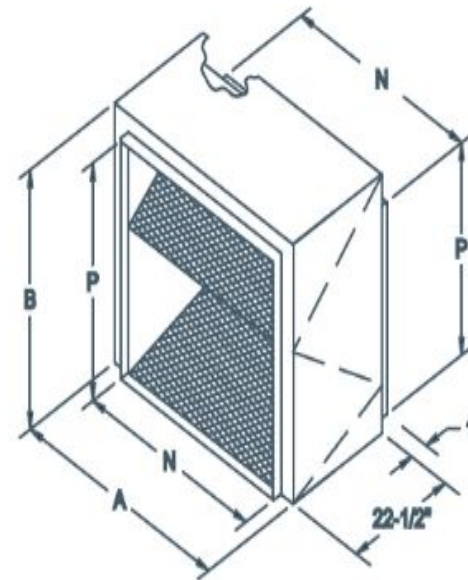
Intake Hood & Filter Selection

H9220 Intake



L	38 5/8"
M	35 9/16"
Z	22"

F9220A Filter Section



A	39 3/4"
B	37 1/4"
N	38 1/2"
P	35 1/4"



Fan Selection 9220-VIB Inline Duct Blower

Model Information

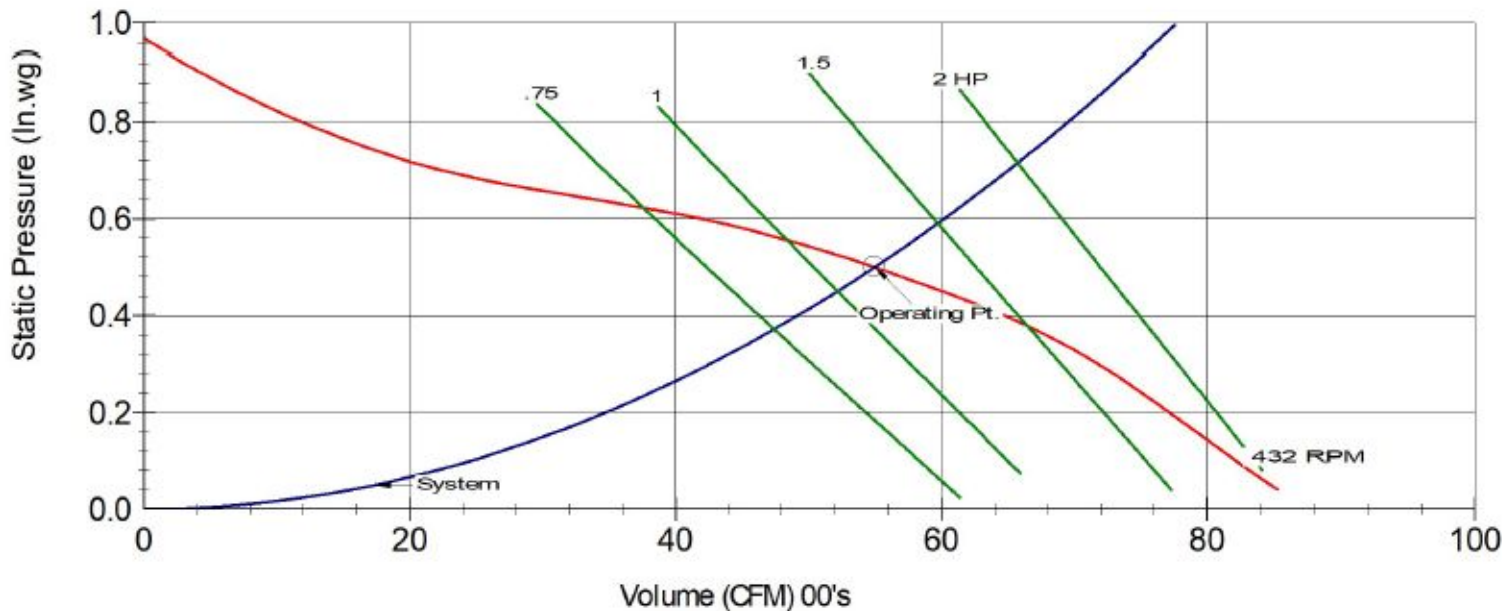
Model: 9220VIB	Part Number: 9020306	Unit Weight: 515
CFM: 5500	Shaft Diameter: 1.4375	Ship Weight: 574
SP: 0.5	Wheel Diameter: 20.4375	Elevation: 0
RPM: 432	Tip Speed: 2311 FPM	Temperature: 70
BHP: 1.15	Static Efficiency: 38	
	Outlet Velocity: 1194 FPM	

Sound Data

	63	125	250	500	1000	2000	4000	8000	(Hz)	LwA: 64
Sound Power Level @ Frequency, re: 10 ⁻¹² Watts	78	72	66	62	56	51	47	45	(dB)	SONES: 6.8
	Ducted inlet <u>or</u> ducted outlet dBA @5 ft. 53					Ducted inlet <u>and</u> ducted outlet dBA @5 ft. 33				

Performance Curve

DELHI Model 9220VB
CFM=5500 SP=0.5 BHP=1.15 S. Eff=38% RPM=432





Fan Selection

Drive Information

Motor Pulley	Turns Open	Blower Pulley	Bushing	Belt
8400 x 1-1/8" \ 8500038	4	MBL127 \ 8500009	H x 1-7/16 \ 8500065	B78 \ 8200078

Motor Data

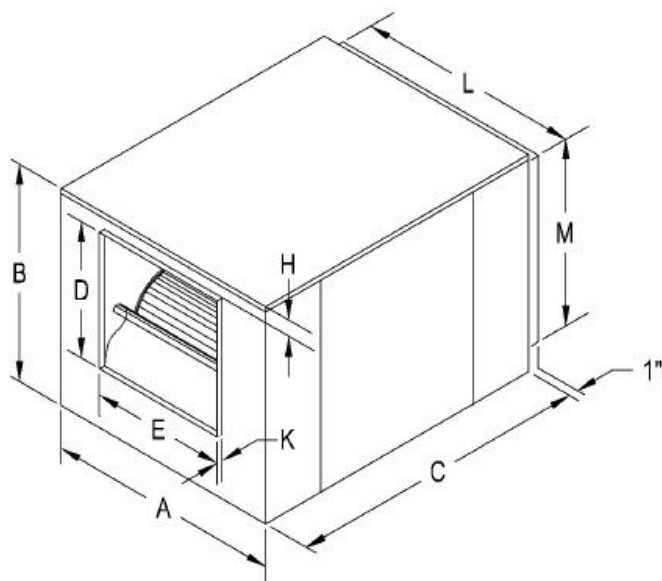
Motor HP and Type	Volts/Phase	Frame	Motor RPM	Position	Canarm Part Number
3 ODP	115/230/1 Phase	184	1725	1	1MD117

Options

Dimensions

Model: 9220VIB

(Inches)



<u>A</u>	<u>B</u>	<u>C</u>	<u>D</u>	<u>E</u>	<u>H</u>	<u>K</u>	<u>L</u>	<u>M</u>
44.75	41.125	57.5	25.75	25.75	3.0	1.125	38.375	35.125

Standard Features

9200 VIB Series Duct Blowers (In-line Cabinet Fans)

- Forward curved wheel provides quiet, low rpm operation.
- Internal spring isolation further reduces sound radiation.
- Cabinet is galvanized steel for outdoor use with baked on textured green polyethylene powder coat finish.
- Fiberglass insulation reduces noise, condensation, and energy costs.
- Self aligning Pillow Block Bearings.
- Access panels for convenient motor mounting on either side.

