



Building Performance Equipment, Inc.®

Sustainable, Reliable, and Energy Efficient Ventilation Systems



Model: BPE-XE-MIR-400i (Air-to-Air Energy Recovery Ventilator)

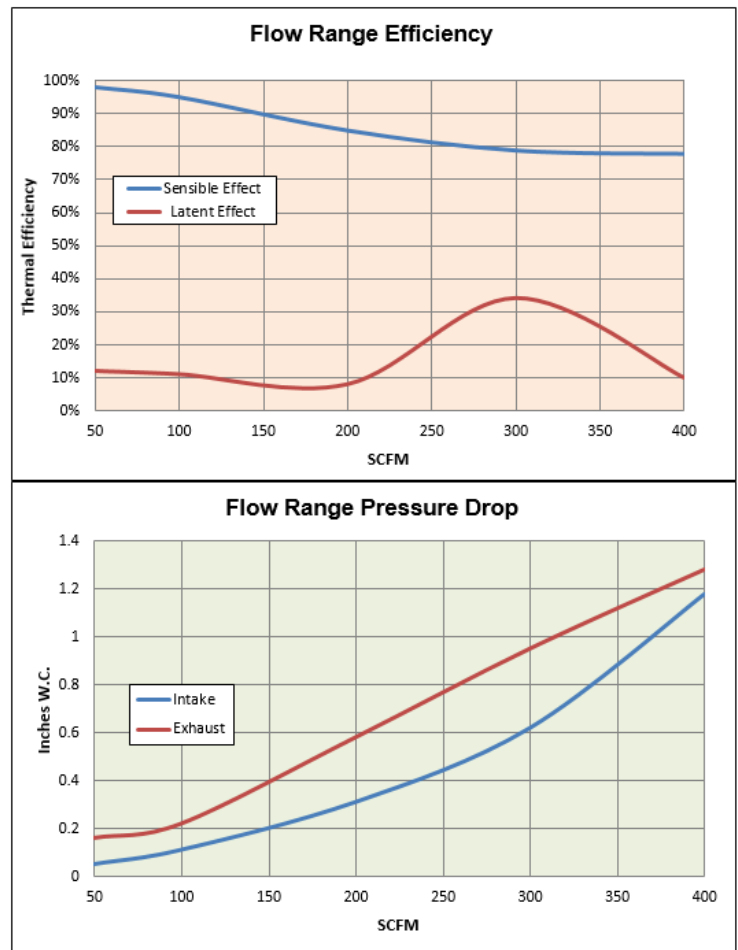


Model Number:	BPE-XE-MIR-400i, Energy Recovery Ventilator (ERV)
Energy Transfer:	Polymer Fixed Plate, Heat and Humidity Transfer
Air Flow Range:	100-400 CFM
Energy Efficiency Ratio (EER) – (Btu/W):	(ARI 1060 at 95°) - Summer = 31.53 (ARI 1060 at 10°) - Winter = 75.67
Net Weight:	60 lbs.
Dimensions:	64" L x 8" W x 18.5" H
External Finish:	Galvanized Steel Sheet
Typical Fan:	Inline Fans with Three-Pronged Plug into Unit, UL Listed
Power Source:	115 V - Single Phase – 60Hz
Power Consumption	232 W @ 678 CFM/Fan

Note: For use in conditions below -10°F and/or 40% relative humidity. Contact BPE for application assistance. Interior aligned with Reflectix Semi-Rigid Insulations (R-5 RMAX). ASTM E84-01 Flame Spread Classification = 25, Smoke-Developed Classification = 30. Integral drain for very wet applications.

Note: BPE-ERMS can be purchased without fans for locations with existing fans

Includes: (2) Merv 8 HEPA Filters, (2) high-efficiency fans UL 507 Listed – Standard for Electric Fans, (2) Speed Controllers, and high-efficiency energy recovery module with single power cord included. High-performance 6-inch duct attachments and installation instructions.



**NO ELECTRICIAN NEEDED! SIMPLY PLUG
AND PLAY!**

ARI 1060 Testing

Project Name: _____

Date: _____

Location: _____

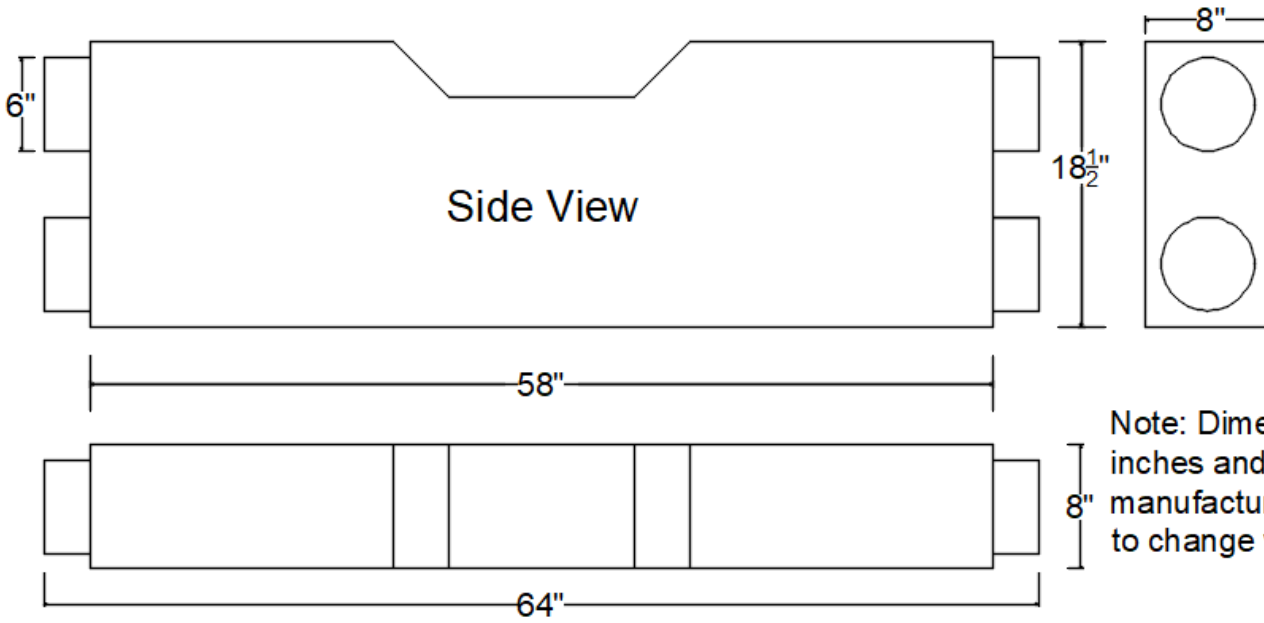
Application: _____

Contractor: _____

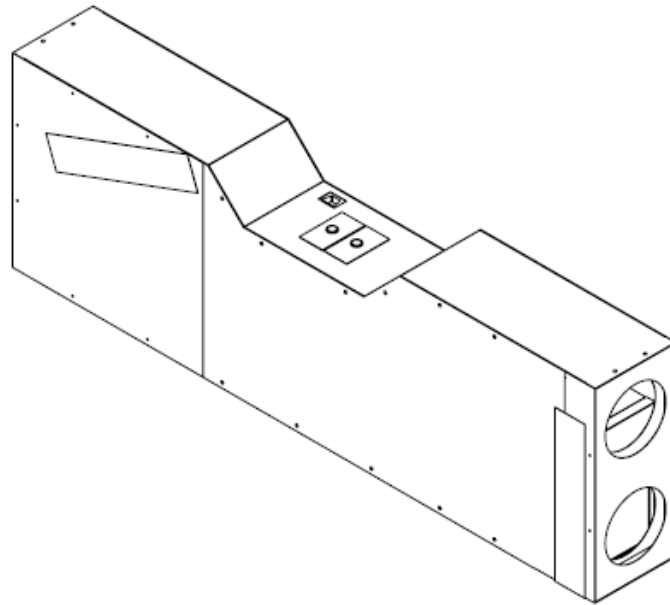
Design Conditions	Outdoor Air				Indoor Air				Thermal Efficiency	
	CFM	In. W.C.	°F WB	°F DB	CFM	In. W.C.	°F WB	°F DB	Sensible (%)	Latent (%)
Summer										
Winter										

Component	Intake (in. W.C.)	Exhaust (in. W.C.)	Notes
Louver			Drain Connection (Left, Right, Field Installed):
Filter			
Duct work			
ERV			
Diffuser			Regenerative Condensate Return (Wick, Gap or Total Seal – No Latent 0.0%):
Total Static			
Add 25% - Safety Factor			
Fan Static			Special Considerations:
Fan CFM			
Fan			
Manufacture			
Fan Model			

Note: Latent component can be adjusted or completely closed off for a sensible-only application. Please discuss with factory to adjust as needed.

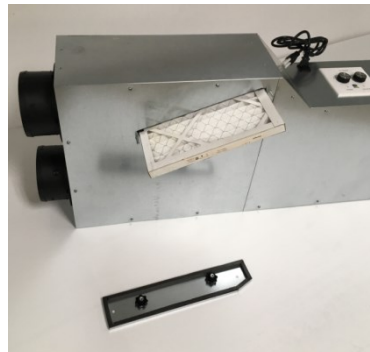


Note: Dimensions in inches and methods of manufacturing are subject to change without notice.



Filters Are Interchangeable Between Fresh Air And Exhaust

Merv 6 (Exhaust - Recommended)	Cost \$12.50 each plus shipping
Merv 8 (Fresh Air Supply – Optional)	Cost \$ 14.95 each plus shipping
Additional fans with plug-in electric connection	Cost \$55.60 each plus shipping



Fan Selection

VKM SERIES

Inline Centrifugal Metal Fan



For high static pressure applications - ideal for bathroom exhaust, kitchen ventilation, living areas, whole house ventilation, duct boosting, workshops & smoking areas, offices, bars & restaurants and warehouses.

VENTS VKM series inline centrifugal duct fans are designed for residential and commercial ventilation applications. In-line configuration simplifies installation and offer maintenance free operation.

All VKM models are designed for standard diameter round ducting and range from 4" to 12" in size with airflows ranging up to 985 CFM. The fan's housing is made of steel with polymer coating. The quiet and efficient backward curved impeller is capable of operating in high-pressure systems.

The VKM series can eliminate many ventilation problems as they are designed to boost airflow through long or complex duct runs. The most common uses are bathroom exhaust range hood exhaust and duct boosting.

FEATURES

- High air volume and static pressure applications.
- Quiet & efficient, vibration free operation.
- Durable and corrosion resistant casing.
- Reliable external rotor motor design.
- Permanently lubricated ball bearing motor for maintenance free operation.
- Automatic reset thermal overload protection.
- Pre-wired and supplied with mounting bracket for easy installation.
- Rated for continuous operation.
- Strong construction for long life.
- Five year warranty.



PERFORMANCE SPECIFICATIONS

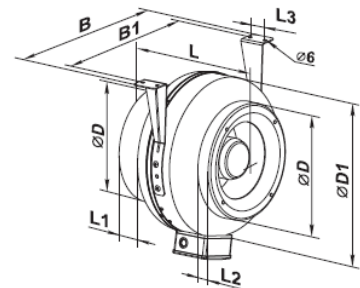
MODEL	RPM*	SONES	WATTS*	AMPS*	DUCT DIA.	CFM VS. STATIC PRESSURE (Ps) IN WG										VOLTS	
						0"	.125"	0.2"	.25"	.375"	0.5"	.75"	1"	1.25"	1.5"		2.5"
VKM 100	3000	6.91	108	0.90	4"	174	167	162	159	151	142	124	106	84	60	-	120
VKM 125	2950	6.8	112	0.97	5"	239	228	222	217	205	192	165	130	102	72	-	120
VKM 150	2400	6.6	110	0.90	6"	325	292	275	265	241	214	172	139	107	67	-	120
VKM 200	2520	7.6	195	1.63	8"	541	502	480	464	428	391	320	265	222	183	36	120
VKMS 200	2745	8.3	240	2.14	8"	657	640	632	625	608	590	550	498	434	370	112	120
VKM 250	2516	8.2	232	1.95	10"	678	638	613	599	550	479	408	340	292	248	90	120
VKM 305	2981	8.35	244	2.10	12"	784	756	738	727	698	669	611	542	480	428	168	120
VKMS 305	2320	8.42	272	2.42	12"	985	920	890	869	818	773	680	594	512	441	210	120

* The parameters RPM, Watts, Amps are indicated at 0.2 in WG static pressure.

** Special order - please call factory

DIMENSIONS

MODEL	DIMENSIONS (Inches)								Weight (lbs)
	ØD	ØD1	B	B1	L	L1	L2	L3	
VKM 100	3 15/16"	10"	11 3/4"	10 3/16"	8 1/16"	13/16"	1"	1 3/16"	9.7
VKM 125	4 15/16"	10"	11 3/4"	10 3/16"	8 1/16"	13/16"	1"	1 3/16"	9.5
VKM 150	5 7/8"	11 15/16"	13 3/4"	12 3/16"	8 11/16"	1"	1"	1 3/16"	11.9
VKM 200	7 7/8"	13 9/16"	15 3/8"	13 3/4"	9 7/8"	1"	1 1/8"	1 9/16"	14.6
VKMS 200	7 7/8"	13 9/16"	15 3/8"	13 3/4"	9 7/8"	1"	1 1/8"	1 9/16"	14.6
VKM 250	9 13/16"	13 9/16"	15 3/8"	13 3/4"	9 3/16"	1"	1 1/4"	1 9/16"	16.1
VKM 305	12"	15 7/8"	17 3/4"	16 5/16"	10 1/4"	15/16"	1 3/16"	1 9/16"	17.6
VKMS 305	12"	15 7/8"	17 3/4"	16 5/16"	10 1/4"	15/16"	1 3/16"	1 9/16"	17.6



Note: Typical fan for 400i is a pre-wired, three pronged plug VKM 200. Two fans needed. Call factory for special pressure drops or applications.